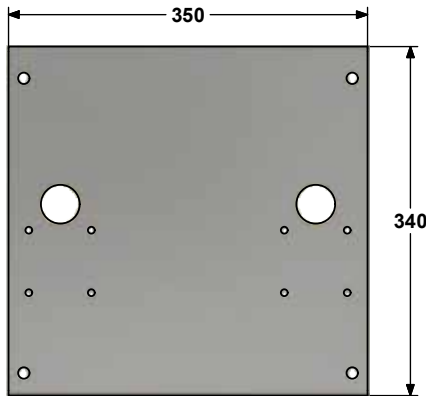
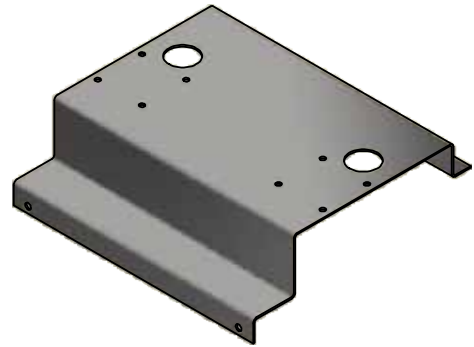




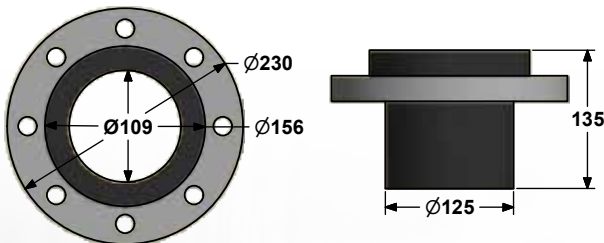
ACCESSORIES



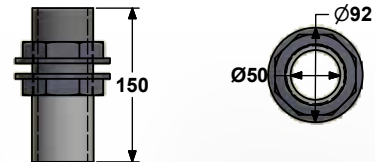
Description	Length (mm)	Width (mm)
6000V - Mount Plate	350	340



Description	Length (mm)	Width (mm)
Mount Plate - Chemical Pump	330	300



Description	Internal \varnothing (mm)	External \varnothing (mm)
180mm Flanged Connection	144	285
125mm Flanged Connection	109	230
90mm Flanged Connection	79	200
63mm Flanged Connection	50	165



Description	Internal \varnothing (mm)	Material
4" Tank Connection	100	PVC
3" Tank Connection	75	PVC
2" Tank Connection	50	PVC
1" Tank Connection	25	PVC
2" Bund Connection	50	HDPE
1" Bund Connection	25	HDPE

Installation & Siting Guidelines

Carbery Tanks must only be installed and commissioned by a suitably competent person in accordance with supplied instructions and all prevailing statutory requirements.

Please Consult the Installation, Operation and Maintenance Manual for further Information.

Note: Dimensions are for guidance only, may vary marginally.