



Product Description

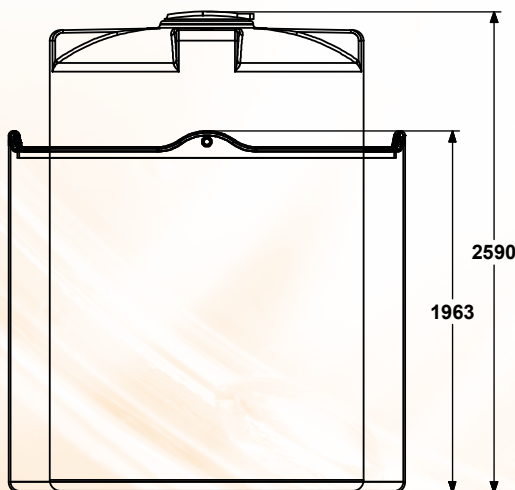
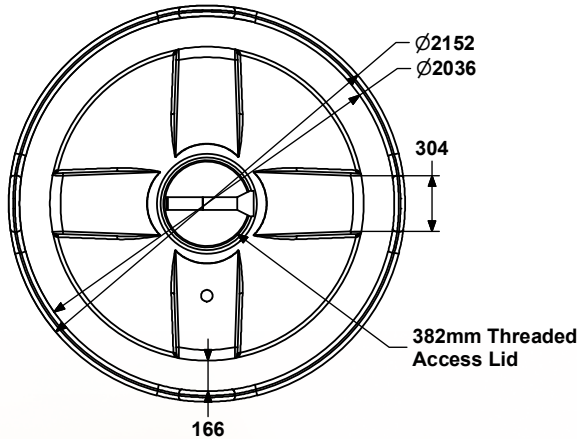
Carbery Plastics Chemical Tanks are designed, manufactured and fully certified to Kiwa BRL-K21008/02 to ensure safe liquid storage for many Chemical applications.

Thanks to an unstressed one piece production process, rotationally moulded products and parts are characterized by excellent resistance properties.

Rotationally moulded products and parts will never rust, rot or corrode and do not require painting.

The vertical design of Carbery Plastics Chemical Tanks optimise space with large storage capacities over low footprint area.

With a team of certified plastic welding technicians and wide range of additional equipment available Carbery Plastics Chemical tanks can be customised to custom specifications.



Technical Data	Value
Volume	5000L
Dimensions D x H	2152mm x 2590mm
Material	MDPE
Unladen Weight	447kg
Style	Vertical
Cover	382mm Hinged Lid
Inlet Fitting Options	1", 2", 3", 4"
Outlet Fitting Options	1", 2", 3", 4"
Tank Colour	Natural
Bund Colour	Natural
Standard	Kiwa BRL-K21008/02

Installation & Siting Guidelines

Carbery Tanks must only be installed and commissioned by a suitably competent person in accordance with supplied instructions and all prevailing statutory requirements.

Please Consult the Installation, Operation and Maintenance Manual for further Information.

Note: Dimensions are for guidance only, may vary marginally.

Certification

All Carbery Plastics LTD Chemical Tanks are certified to Kiwa BRL-K21008/02